

MOBILE WORKING SOLUTIONS

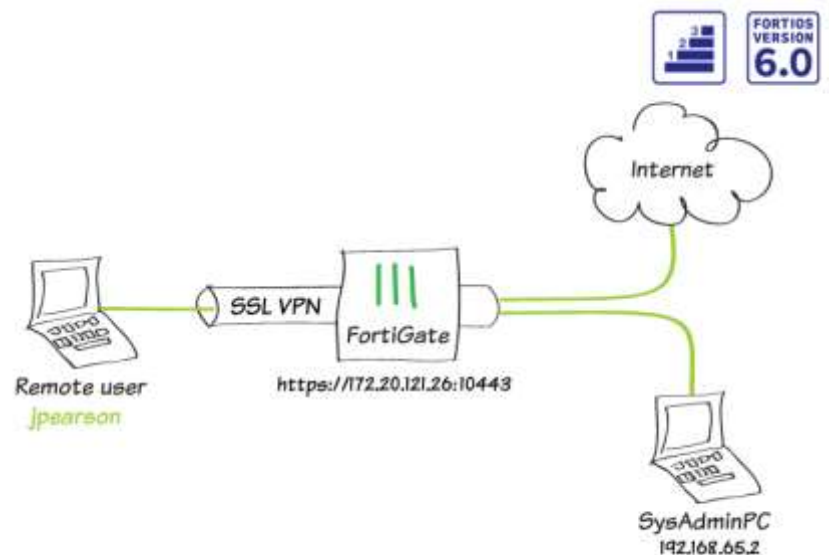
FORTINET

EXCLUSIVE NETWORKS

FortiClient and VPN Services

VPN Services and FortiClient use on a FortiGate.

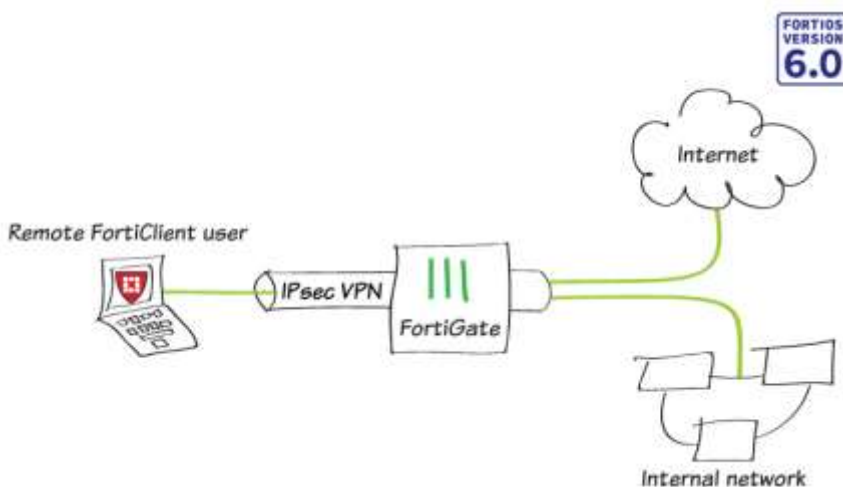
1. Clientless SSL-VPN users connected to a FortiGate is only restricted by the maximum recommended users and SSL-VPN throughput.
i.e. maximum recommended number of users on a FortiGate 200D – 300 users/devices with maximum 400Mbps throughput.



2. Use the free FortiClient VPN agent. You can download from the link below:

<https://www.forticlient.com/downloads>

Select FortiClient VPN



As long as you DO NOT REGISTER clients on the FortiGate you can use as many clients as you like, limited to the maximum recommended number of users the specific FortiGate unit.

If you register clients against the FortiGate unit, **FortiOS 6.0** or below then you are limited to 10 clients and will need to purchase a FortiClient Telemetry license

On **FortiOS 6.2** and above there is no longer any requirement for a Telemetry license.

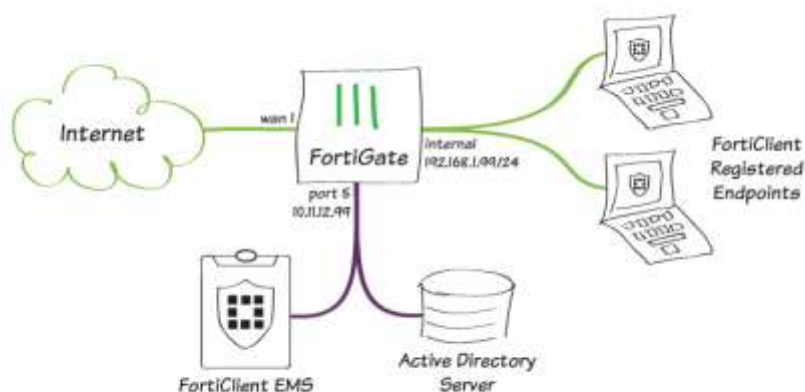
This free VPN client needs to be **installed manually** on the end point and can be disabled.

3. Use FortiClient Security Fabric agent, this provides a license that is loaded onto a FortiClient Enterprise Management Server (EMS) and is the platform used to manage and configure FortiClient.

FortiClient EMS runs on a **MS Windows 2008/2012 server** or above provided by the end user.

With FortiClient EMS, customers can configure the client, create user profiles and customise the install, enforce its' use and the user cannot disable.

This enables the full FortiClient functionality, i.e. Fabric Integration, Advanced Endpoint Protection (AV, Application firewall, Web filtering, VPN services and management).



FortiClient EMS can be linked to Active Directory and you can manage/push the installation out to client devices.

FortiClient EMS also enables you to monitor FortiClient users.

FortiClient Security Fabric agent is available in block of 25 users/devices and comes with or without Sandboxing (for the Advanced Threat Protection)

Link to the FortiClient Security Fabric Agent trial site:

<https://www.fortinet.com/support/forticlient-fabric-agent.html>

Ordering FortiClient Security Fabric Agent:

FC1-15-EMS01-297-02-12

Security Fabric Agent with EPP license subscription for 25 endpoints. Includes Fabric Agent, Anti-Malware, Remote Access, Web Filter, Vulnerability Scan, Software Inventory, Application Firewall, SSOMA, Threat Outbreak Detection, Central Management and 24x7 Support.

FC1-15-EMS01-299-02-12

Security Fabric Agent with EPP license subscription for 25 endpoints. Includes Fabric Agent, Anti-Malware, Remote Access, Web Filter, Vulnerability Scan, Software Inventory, Application Firewall, SSOMA, Threat Outbreak Detection, Sandbox Agent with **Cloud Sandbox subscription**, Central Management and 24x7 Support.