

MOBILE WORKING SOLUTIONS

FORTINET

EXCLUSIVE NETWORKS

Remote working solutions with FortiToken and FortiClient

FortiToken

Fortinet have a robust remote access VPN solution to help secure your employees laptops while offsite from their usual place of work.

As part of the FortiOS operating system that resides on FortiGate firewalls, Fortinet have bundled IPSEC client to Site and SSL client to site VPN connectivity, both are free to use.

To further enhance the authentication of your remote workers the VPN client can be coupled with Fortinet's FortiToken offering which provides two factor authentication (2FA)

FortiTokens allow a remote worker to securely connect in to an existing FortiGate and authenticate themselves into the network using two factor authentication.

Available in both physical and software mobile form, FortiTokens are a one-time purchase and no additional licensing is required.



ANDROID APP SCREENSHOT



The mobile software application is compatible with both IOS and Android and available to download for free from their respective Vendor App sites

Once you have the Application you can purchase FortiToken

If you lose the phone the token can be retrieved



Benefits

- Reduced costs by leveraging existing FortiGate as the authentication server.
- Minimized overhead with unique online activation option.
- A scalable solution for low entry cost and low total cost of ownership
- Both Physical and Mobile Tokens operate a Perpetual token license eliminates annual subscription fees
- Tokens can be applied to local Firewall Users to alleviate authentication via the FortiGate or Active Directory.

Lead times and Quantities

Electronic Licenses once PO is received takes SLA 24-48 hours to be delivered (24 hours is the normal timescale).

Licenses are available in Quantities of 5, 10, 20, 50, 100, 200, 500, 1000, 2000, 5000 and 10,000

Physical Tokens take on average 7-10 working days to be delivered.

Physical Tokens are available in Quantities of 5, 10, 20, 50, 100, 200, 500, 1000, 2000

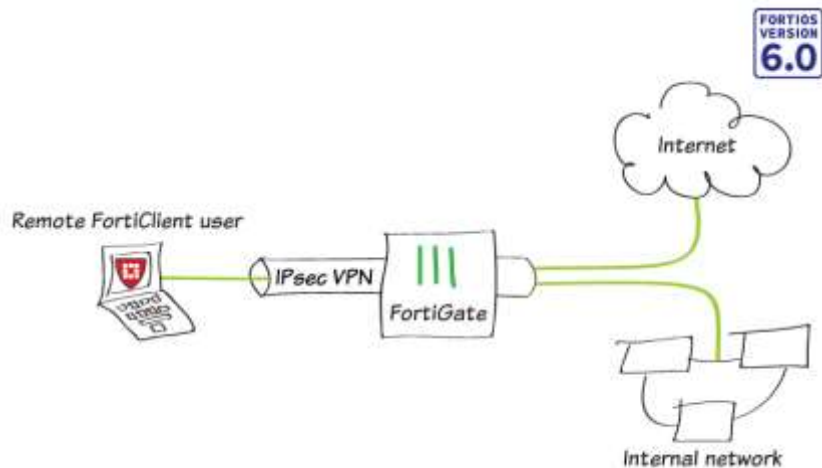
Ordering

For further information please contact @ fortinetsales_uk@exclusive-networks.com



To help your customers quickly enable secure remote working, Exclusive Networks are now offering our partners **40% discount** on FortiTokens

FortiClient



FortiClient provides a VPN connection to the FortiGate with password and user ID. It's free to download and will work if you are just looking to use the VPN elements of the client software.

[FIND OUT MORE HERE](#)

FortiClient EMS

If your requirements are more suited to full endpoint control, then FortiClient EMS is the option to go for. FortiClient EMS unlocks the full potential of the UTM features built into the FortiClient software which includes Antivirus with Cloud Sandboxing, Web filtering, Firewall (Application Control) and Vulnerability Scanning.

FortiClient EMS can push the software down to the endpoint device and be configured so that the endpoint user cannot change any of the settings, the device can be configured to start the VPN on boot up safeguarding the device from the split tunnelling if required

FortiClient EMS is configured on a per 25 endpoint minimum subscription and is easily scalable with additional licenses.

The screenshot shows the FortiClient EMS web interface. It features a dashboard with various security and management options, including a sidebar with navigation links and a main content area with detailed settings and reports.

[DOWNLOAD DATASHEET](#)



To help your customers quickly enable secure remote working, Exclusive Networks are now offering our partners **40% discount** on FortiClient EMS